

BV2000

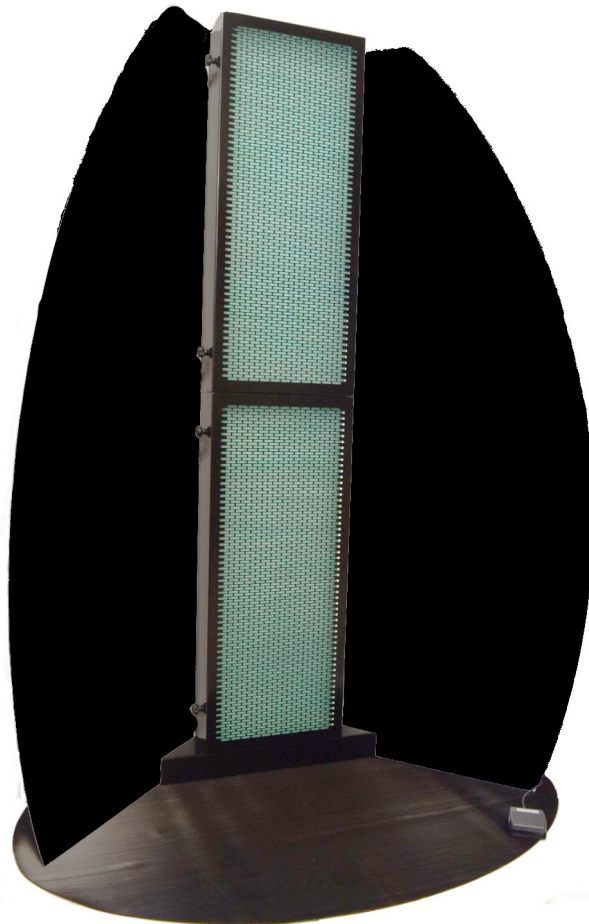
Air Filtration Booth

BenchVent
The Bench Ventilation Company

Spa Tanning Mist Overspray Filtration Booth

Overspray shield which vastly reduces overspray and particle deposits in the salon or spa.

Essential to keep the busy salon environment clean and mist free.



Demonstrating adequate control of the risks to the health of employees, students and the general public, from dusts, powders, mists, fumes and vapours is the fundamental requirement of the Control of Substances Hazardous to Health (COSHH) regulations 2002 and 2004.

www.benchvent.com

BenchVent Spray Tan Filtration Booth

NOTE: These units are recirculatory; i.e. filtered air is exhausted back into the workplace.

For a cleaner, healthier working environment.

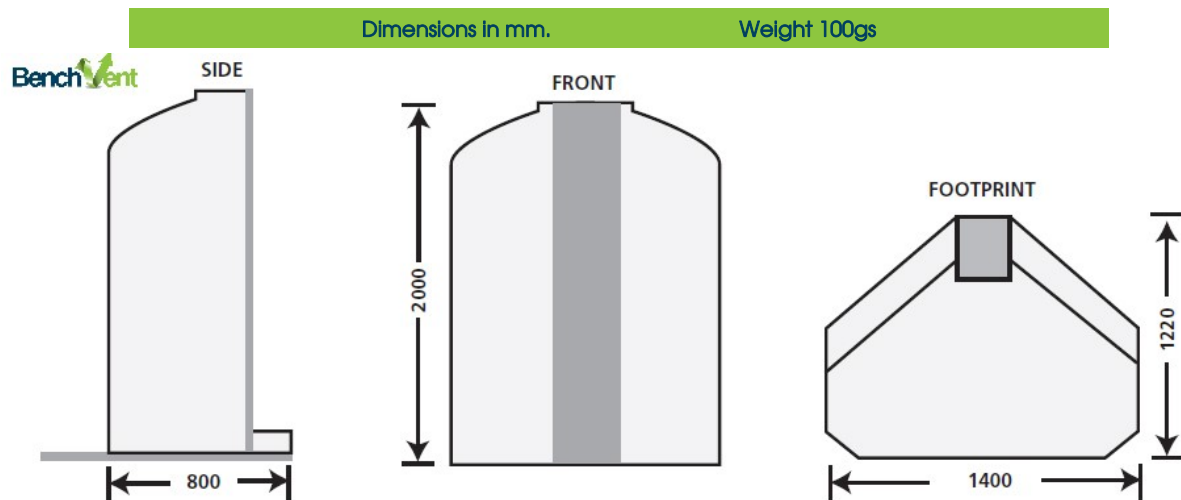
Description

Steel construction of the central filtration tower, finished in black with "sparkling" silver front baffle plates – particulate and moisture filters – 2 x high efficiency backward curved fans, UL, VDE and CSA approved – sealed electric wiring and external foot operated switch – lightweight, aluminium composite side panels – aluminium composite floor panel & ribbed rubber mat.

Operation

All WS filtration and extraction systems carry a lifetime warranty, are quiet in operation and can be assembled in seconds.

Space saving, free standing booth can be sited in spa or beauty room corner. Once power cables are connected the booth is simply switched on and off via a latching footswitch.



Filtration

The particulate (intake) filter is a three stage graduated fibre filter with a high 'dust' holding capacity for long life. Filtration to 5 micron particles. NB: Spray particulate sizes vary from 10 to 20 microns. The final filtration stage absorbs any residual moisture.

Through the process of filtration, absorption and dilution, technician / therapist and client exposure to airborne tanning overspray is vastly reduced and general salon cleanliness hugely enhanced.

Specification

| Model Number | Fan Motor* Spec | Air Volume At Free Air | Ave. Air Velocity At Filter Face | Noise Level LAeq dB(A) |
|--------------|-----------------|------------------------|----------------------------------|------------------------|
| BV2000 | 230V 50Hz 150W | 1140m ³ /hr | 0.65m/sec | 65 |

*110v 50 or 60Hz available on request

These units are designed as overspray salon booths to assist with cleanliness and for immediate operator and client protection from concentrations of airborne tanning solution mist.

Please contact BenchVent for advice on the choice of machine for any given situation.

T: 01423 790039

E: enquiries@benchvent.com

W: www.benchvent.com

BenchVent, Unit 1 Levens Hall Park, Lund Lane, Killinghall, Harrogate, North Yorkshire. HG3 2BG

Company No: 03217859 Registered office: Widespread Solutions Ltd, Unit 1 Levens Hall Park, Lund Lane, Killinghall, Harrogate, North Yorkshire. HG3 2BG

BenchVent is a trading style of Widespread Solutions Ltd

We go to great lengths to ensure accuracy in our literature, however we cannot be held responsible for errors or omissions. Information is given for guidance only and we reserve the right to alter specification.