

BV200H-D

Extraction Cabinets

BenchVent
The Bench Ventilation Company

Air Extraction Hood and Spray Booth

Captures, filters and expels for a cleaner, healthier working environment within art, graphics, design technology areas, crafts and modelling and more...

Applications include filtration and extraction of:

Aerosol adhesives (glue booth for Spray Mount), aerosol lacquers and fixatives and airbrush sprays applied to artwork up to A2 size. A2 drawing boards can be placed into the hoods at an angle for efficient overspray capture.

The workstation hood also accommodates prototypes, models, ceramic parts, PCB's etc, placed onto the hood base to be sprayed, soldered, cleaned, glued, moulded, sanded etc.

All odours and gases are extracted to atmosphere.



Demonstrating adequate control of the risks to the health of employees, students and the general public, from dusts, powders, mists, fumes and vapours is the fundamental requirement of the Control of Substances Hazardous to Health (COSHH) regulations 2002 and 2004.

www.benchvent.com

BenchVent Extraction Cabinets

NOTE: These units exhaust air via flexi-duct to atmosphere.

For a cleaner, healthier working environment.

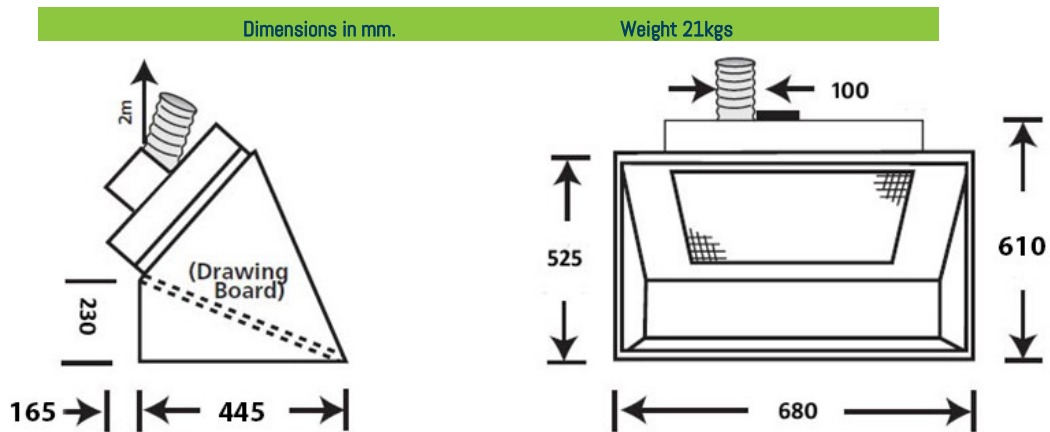
Description

Steel construction finished in dove grey RAL 9007 – fan/filter unit mounted onto hood enclosure - particulate filter - centrifugal blowers external rotor motor type, brushless, UL, VDE and CSA approved - sealed electrical wiring and switch, downstream of filter. Flexi-duct of 2 metres x 100mm dia.

Operation

All BV filtration and extraction systems carry a lifetime warranty, are quiet in operation and can be assembled in seconds. Place onto a desk, bench or trolley and then simply plug in and switch on.

For artwork applications, standard A2 (drawing boards can be placed within the hood enclosure.) The boards fit at an angle for efficient overspray capture. 3D items, models, printed circuit boards etc. may be placed onto the hood base for spraying, cleaning, sanding, gluing etc. The Flexi-ducts can be fixed to a standard domestic vent, 100mm in diameter.



Filtration

The particulate (intake) filter is a three stage graduated fibre filter with a high 'dust' holding capacity for long life. Filtration to 5 micron particles. NB: Spray particulate sizes vary from 10 to 20 microns.

Specification

Model Number	Fan Motor* Spec	Air Volume At Free Air	Ave. Air Velocity At Filter Face	Ave. Air Velocity At Hood Face	Noise Level LAeq dB (A)
BV200H-D	230V 50Hz 105W	355m ³ /hr	0.6m/sec	0.25m/sec	58

*115v 50 available on request

These cabinets are designed for studio / classroom / workshop cleanliness and for immediate operator protection whereby 'large' particulates (> 5 microns) are filtered out and 'fine' particulates (<5 microns) together with odours, gases, vapours and fumes within the hood enclosure are exhausted to atmosphere via the flexi-ducts. See BV660H-C or BV930H-C filtration or T660H-D and T930H-D extraction cabinets for higher specification filtration and extraction

Please contact BenchVent for advice on the choice of machine for any given situation.

T: 01423 790039

E: enquiries@benchvent.com

W: www.benchvent.com

BenchVent, Unit 1 Levens Hall Park, Lund Lane, Killinghall, Harrogate, North Yorkshire. HG3 2BG

Company No: 03217859 Registered office: Widespread Solutions Ltd, Unit 1 Levens Hall Park, Lund Lane, Killinghall, Harrogate, North Yorkshire. HG3 2BG

BenchVent is a trading style of Widespread Solutions Ltd

We go to great lengths to ensure accuracy in our literature, however we cannot be held responsible for errors or omissions. Information is given for guidance only and we reserve the right to alter specification.