

BV930H-D

Extract Cabinets

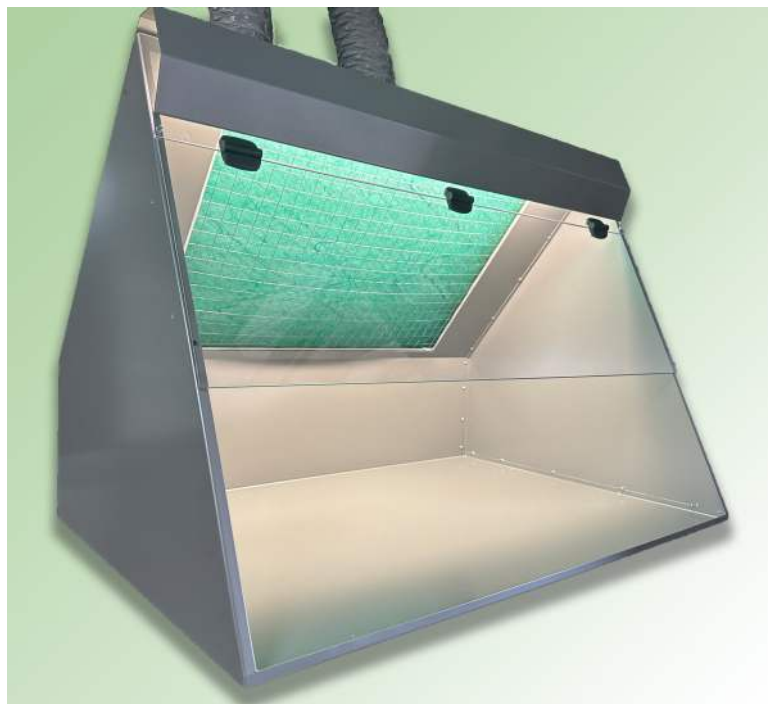
BenchVent
The Bench Ventilation Company

Fume Extraction Hoods and Cabinets

Capture, contain, filter and expel for a cleaner, healthier working environment within electronic design and rework, dental/medical labs, pharmaceutical labs, design and technology, science in education and more...

Applications include the filtration of fumes, vapour and particulates emanating from:

Spray adhesives, conformal coatings and paints, monomers, hazardous powders and particulates, resins, sealants, solders, light grinding particles, organic solvents and cleaners etc. All odours and gases are extracted to atmosphere.



Demonstrating adequate control of the risks to the health of employees, students and the general public, from dusts, powders, mists, fumes and vapours is the fundamental requirement of the Control of Substances Hazardous to Health (COSHH) regulations 2002 and 2004.

www.benchvent.com

BenchVent Air Filtration Unit

NOTE: These units exhaust air via flexi-duct to atmosphere

For a cleaner, healthier working environment.

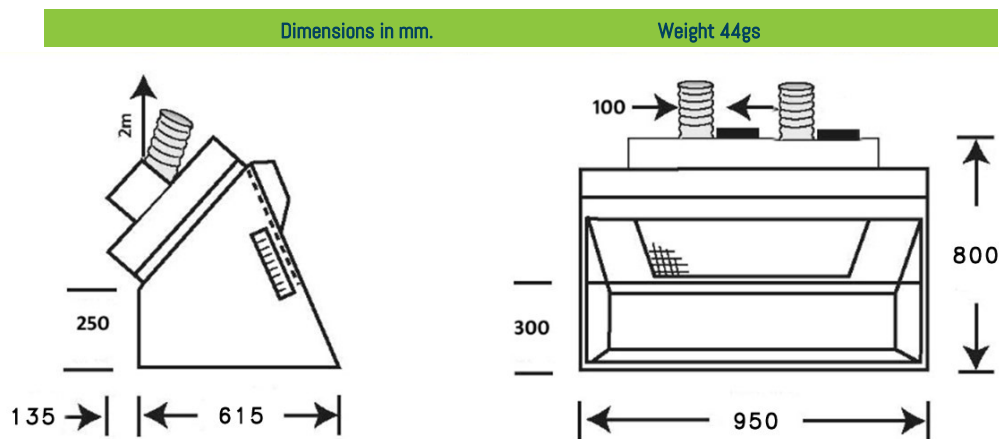
Description

Steel construction finished in dove grey – fan/filter unit mounted onto hood enclosure complete with clear polycarbonate panel and hood lighting - particulate filter – centrifugal blower, external rotor motor type, brushless, UL, VDE and CSA approved - sealed electrical wiring and switch, downstream of filter. 2 x Flexi-ducts 2 metres x 100mm dia.

Operation

All BV filtration and extraction systems carry a lifetime warranty, are quiet in operation and can be assembled in seconds. Place onto a desk, bench or trolley and then simply plug in and switch on.

The Flexi-ducts can be fixed to a standard domestic vent, 100mm in diameter. All handling and/or use of potentially harmful substances is carried out within the hood enclosure in front of the intake filter area. For artwork applications, standard A2 drawing boards can be placed within the hood enclosure. The boards fit at an angle for efficient overspray capture.



Filtration

The particulate (intake) filter is a three stage graduated fibre filter with a high 'dust' holding capacity for long life. Filtration to 5 micron particles. NB: Spray particulate sizes vary from 10 to 20 microns.

The dual process of filtration and then extraction to atmosphere via flexi-ducts, vastly reduces and/or eliminates operator exposures to potentially hazardous substances.

Specification

Model Number	Fan Motor* Spec	Air Volume At Free Air	Ave. Air Velocity At Filter Face	Ave. Air velocity At Shield Face	Noise Level LAeq dB (A)
BV930H-D	230V 50Hz 210W	710m ³ /hr	0.60m/sec	0.60m/sec	60

*110v 50 available on request

These fume cabinets are designed for immediate operator protection whereby 'large' particulates (> 5 microns) are filtered out and 'fine' particulates (<5 microns) together with odours, gases, vapours and fumes within the hood enclosure are exhausted to atmosphere via the flexi-duct. Also see BenchVent cabinets model No's BV660H-C and BV930H-C (higher specification filtration) where external venting is impractical.

Please contact BenchVent for advice on the choice of machine for any given situation.

T: 01423 790039

E: enquiries@benchvent.com

W: www.benchvent.com

BenchVent, Unit 1 Levens Hall Park, Lund Lane, Killinghall, Harrogate, North Yorkshire. HG3 2BG

Company No: 03217859 Registered office: Widespread Solutions Ltd, Unit 1 Levens Hall Park, Lund Lane, Killinghall, Harrogate, North Yorkshire. HG3 2BG

BenchVent is a trading style of Widespread Solutions Ltd

We go to great lengths to ensure accuracy in our literature, however we cannot be held responsible for errors or omissions. Information is given for guidance only and we reserve the right to alter specification.