

Primary Units

P1001-C & P1002-C

Air Filtration/Extraction Cabinets



Filtration & Extraction units for bespoke hood arrangements

Primary units enable users to design and construct hoods, enclosures or benches to suit their particular requirements. The units may be positioned at any angle, offering total flexibility of enclosure design.

Applications include filtration or extraction of:

Aerosol adhesives (glue booth for Spray Mount), aerosol lacquers and fixatives and airbrush sprays applied to artwork.

As well as vapour and particulates emanating from:

Monomers, adhesives, hazardous powders/particulates, conformal coatings, resins, sealants, solders, light grinding particles and dusts, organic solvents etc.

P1002-C



P1001-C



Demonstrating adequate control of the risks to the health of employees, students and the general public, from dusts, powders, mists, fumes and vapours is the fundamental requirement of the Control of Substances Hazardous to Health (COSHH) regulations 2002 and 2004.

www.benchvent.com

BenchVent Filtration Cabinets

NOTE: These units are filter units. Designed to retro fit to bespoke hoods or capture areas

For a cleaner, healthier working environment.

Description

Steel construction finished in medium grey – fan/filter units mounted - combinations of particulate filter– EPA Fine particle filter and activated carbon filters – Blower motor(s): external rotor motor type brushless, UL, VDE and CSA approved.

P1002-C has two blowers - sealed electrical wiring and switch, downstream of filters.

Operation

All BV filtration and extraction systems carry a lifetime warranty, are quiet in operation and can be assembled in seconds. Place onto a desk, bench, trolley or enclosure of your making and then simply plug in and switch on.

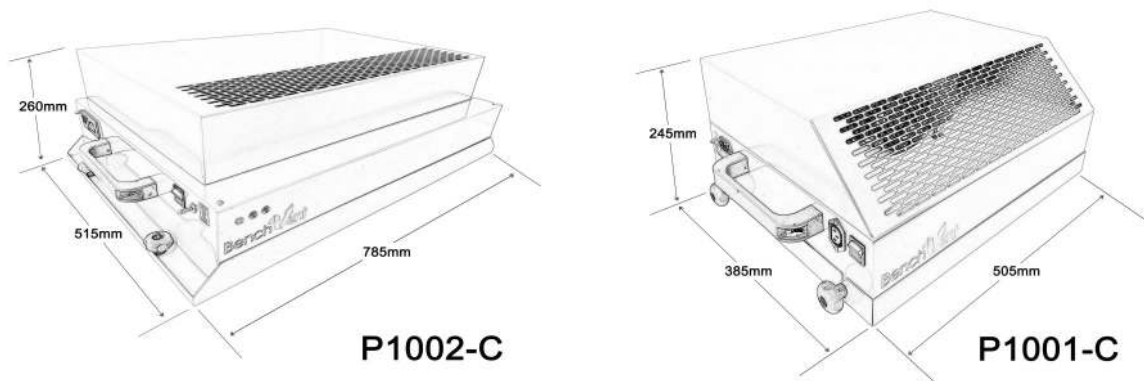
Features

P1001-C and P1002-C - recirculatory. Quiet in operation at 62db, Lifetime Warranty, Can be assembled in seconds. Place onto an enclosure, hood, desk, bench or trolley and then simply plug in and switch on. The P1002-C has dual airspeed function.

Filtration

All units have particulate (intake) filters to 5.0 microns as standard. (Optional fine filter to 0.3 microns available). P1001-C and P1002-C have 4kg and 8-kg carbon filters for high efficiency solvent vapour and gas adsorption

Through the process of filtration, adsorption and dilution, operator exposure to concentrations of potentially hazardous substances is vastly reduced.



Specification 115v 60Hz *available on request

Model Number	Fan Motor* Spec	Air Volume At Free Air	Ave. Air Velocity At Filter Face	Noise Level LAeq dB (A)
P1001-C	230V 50Hz 105W	355m ³ /hr	0.60m/sec	62
P1002-C	230V 50Hz 210W	710m ³ /hr	0.57m/sec	62

These units are designed for immediate operator protection from concentrations of airborne contaminants whereby gases, fumes, vapours and particulates at the front of the unit are drawn into the intake filter. Cleaned air is filtered or exhausted to the rear of the cabinet.

Please contact BenchVent for advice on the choice of machine for any given situation.

T: 01423 790039

E: enquiries@benchvent.com

W: www.benchvent.com

BenchVent, Unit 1 Levens Hall Park, Lund Lane, Killinghall, Harrogate, North Yorkshire. HG3 2BG

Company No: 03217859 Registered office: Widespread Solutions Ltd, Unit 1 Levens Hall Park, Lund Lane, Killinghall, Harrogate, North Yorkshire. HG3 2BG

BenchVent is a trading style of Widespread Solutions Ltd

We go to great lengths to ensure accuracy in our literature, however we cannot be held responsible for errors or omissions. Information is given for guidance only and we reserve the right to alter specification.